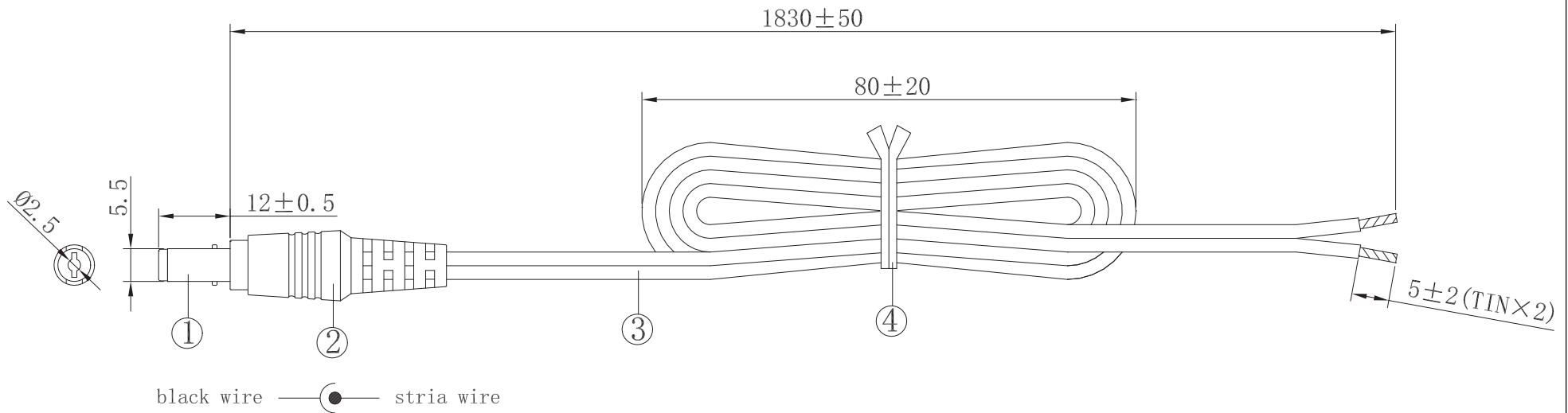


REV.	DESCRIPTION	DATE
A	NEW DRAWING	10/03/2007



No.	DESCRIPTION	SPECIFICATION	UNIT	Q' TY
1	PLUG	Ø2.5x5.5x23.8±0.5mm black color hardware.	EA	1
2	PLUG HOLDER	used 30P black color PVC. M033	EA	1
3	CABLE	UL2468 AWG#18 0.16 x 41 rootlets x 2C, black color twin wire, O.D. 2.2 by 4.4±0.1mm.	MM	1840 ⁺²⁰ ₋₀
4	BAND WIRE	black enfold gluey wire.	MM	89±3

FUNCTION TEST: No open, no reversed polarity, no short-circuit, no INT

HI-POT TEST: 600VAC, 0.5mA, 1Second.

CABLE ASSEMBLY SHALL BE IN COMPLIANCE WITH RoHS REQUIREMENT.



TOLERANCE
X= ± 0.5mm
. X= ± 0.25mm
. XX= ± 0.05mm



20050 SW 112th Ave.
Tualatin, OR 97062
Phone: 503-612-2300
800-275-4899
Fax: 503-612-2383
Website: www.cui.com

TITLE: 2.5mm x 5.5mm Twist Lock DC Power Plug to S/T Ends 6ft, 18AWG Cable		REV: A
PART NO. CA-2223	UNITS: MM	
DRAWN BY: JRH	APPROVED BY:	SCALE: